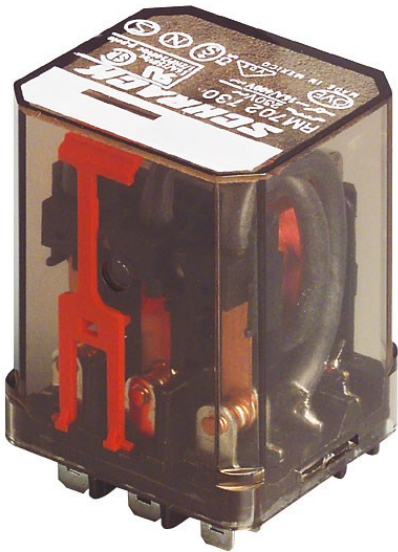


■ Data sheet: Power Relay RM8



■ SCHRACK-INFO

- 2 pole 25A, 2 form C (2 CO) contacts
- DC or AC coil
- Mechanical indicator
- Push-to-test button
- Chassis- or DIN-rail mount

■ Technical data

Insulation Data	
Dielectric strength	
between open contacts	1500V _{rms}
between contact and coil	2500V _{rms}
between adjacent contacts	4000V _{rms}
Clearance / creepage	
between contact and coil	≥4.0/14.9mm
between adjacent contacts	≥15.3/15.3mm
Initial surge withstand voltage	
between contact and coil	5000V (1.2/50μs)
between adjacent contacts	6000V (1.2/50μs)
Material group of insulation parts	IIIa

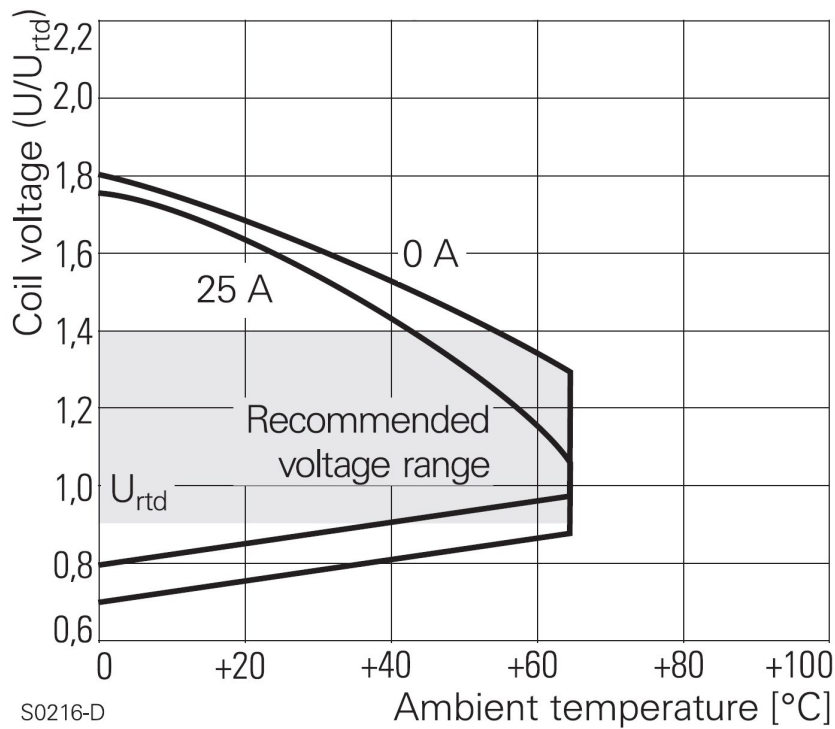
Other Data			
Ambient temperature			
for mounting/handling in operation		-20 to +40 °C	
DC-Coil		-40 to +65 °C	
AC-Coil		-40 to +40 °C	
16 A contact load		-40 to +70 °C	
Category of environmental protection (IEC 61810)		RTI- dust protected	
Vibration resistance (functional) form A(NO) form B (NC)		10/5g, 30 to 150Hz	
Terminal type		quick-connect	
Cover retention, pull/push force		100/100N	
Weight		81g	
Contact Data			
Contact arrangement		2 form C (CO)	
Rated voltage		250VAC (VDE) /415VAC (UL)	
Max. switching voltage		415VAC	
Rated current		25A	
Limiting making current, max. 20ms		60A	
Switching power		6000VA	
Contact material		AgNi90/10	
Min. recommended contact load		24VDC/100mA	
Frequency of operation, with/without load, DC coil		360/6000h ⁻¹	
Operate/release time max., DC coil		15/10ms	
Bounce time max., DC coil, form A/form B, DC coil		4/6ms	
Mechanical endurance		10x10 ⁶ operations	
Contact ratings			
Type	Contact	Load	Cycles
IEC 61810			
RM82	C (CO)	25A, 250VAC, cosφ=1 DC-coil, 65 °C	10x10 ³
RM82	C (CO)	25 A, 250 VAC, cosφ=1 AC-coil, 40 °C	10x10 ³
UL 508			
RM82	A (NO)/B (NC)	25 A, 277 VAC, general purpose, 50 °C	6x10 ³
RM8	A (NO)/B (NC)	25 A, 415 VAC, resistive, 45 °C	10x10 ³
RM82	C (CO)	16 A, 415 VAC, resistive, 70 °C	30x10 ³
RM82	A (NO)/B (NC)	240 VAC, 1phase, 2HP, 50 °C	6x10 ³

Coil Data	
Coil voltage range	
DC-Coil	6 to 220 VDC
AC-Coil	12 to 400 VAC
Operative range, IEC 61810	2
Coil insulation system according UL	class 130(B)

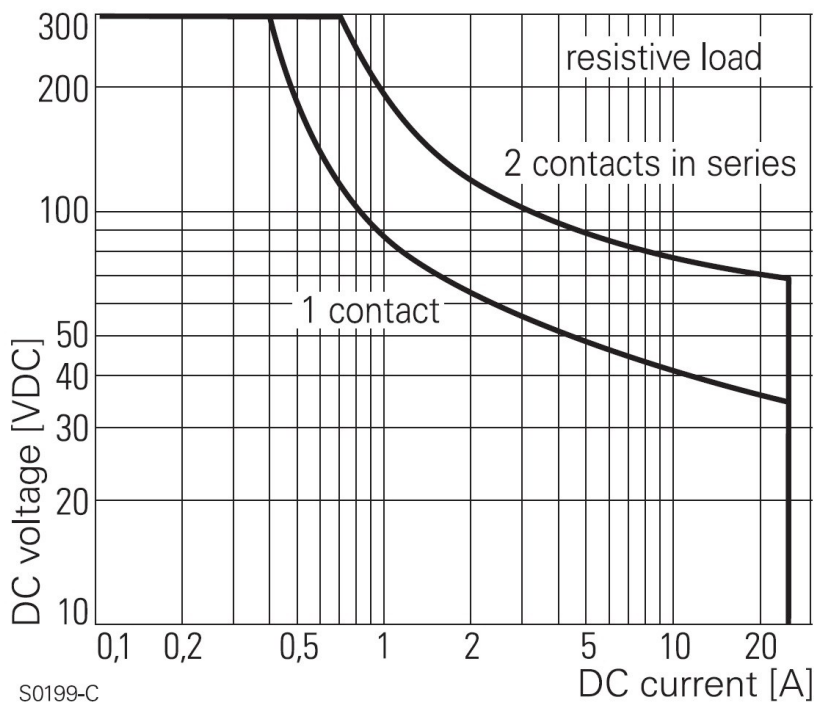
Coil version, AC coil						
Coil code		Rated voltage VAC	Operate voltage 50/60Hz VAC	Release voltage 50/60Hz VAC	Coil resistance $\Omega \pm 10\%$	Rated coil power 50/60Hz VA
STD	LED					
Coil version, AC- coil						
512	R12	12	9.6/10.2	3.6	19.5	2.71/2.27
524	R24	24	19.2/20.4	7.2	80	2.62/2.00
548	R48	48	38.4/40.8	14.4	320	2.60/2.17
560	R60	60	48.0/51.0	18.0	500	2.62/2.20
615	S15	115	92.0/97.8	34.5	1850	2.65/2.22
730	T30	230	184.0/195.5	69.0	7500	2.69/2.26
900	V00	400	320.0/340.0	120.0	23500	2.61/2.20

Coil version, DC coil						
Coil code				Rated voltage VDC	Coil resistance $\Omega \pm 10\%$	Rated coil power W
STD	LED bipolar	PD	LED + PD			
Coil versions, DC coil						
006	L06	0A6	LA6	6	32	1.1
012	L12	0B2	LB2	12	110	1.3
024	L24	0C4	LC4	24	475	1.2
048	L48	0E8	LE8	48	2000	1.2
60	L60	0G0	LG0	60	2850	1.3
110	M10	1B0	MB0	110	10000	1.2
221	N21	2C1	NC1	220	40000	1.2
Operate voltage, DC coil			75% of rated coil voltage			
Release voltage, DC coil			10% of rated coil voltage			

Coil operating range DC

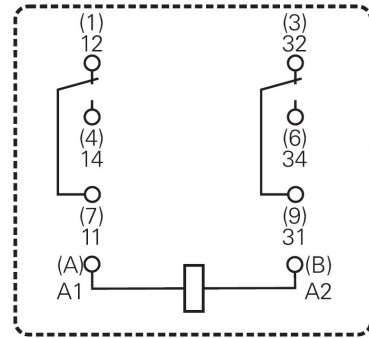
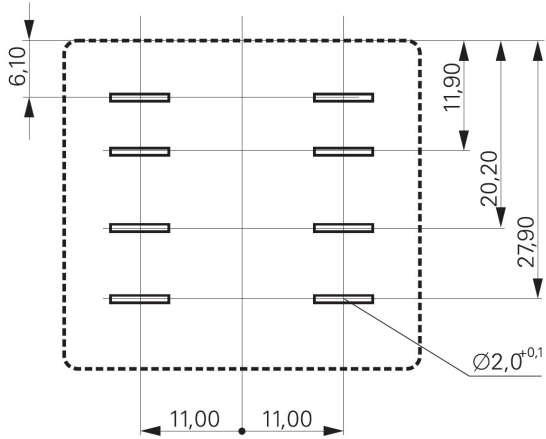


Max. DC load breaking capacity



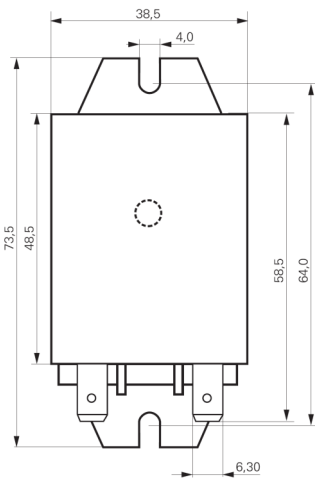
Terminal assignment

Bottom view on pins



Dimensions

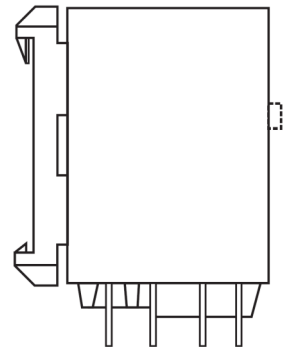
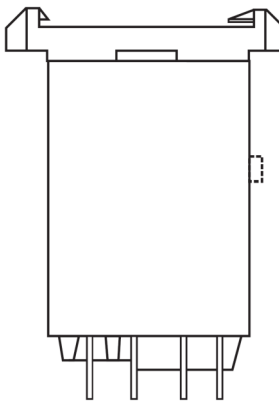
Cover with mounting brackets, 6.3mm quick connect terminals



Cover with DIN-snap-on attachment

horizontal

vertical



	RM	8	2	5	730
Type	RM Power Relay 8				
Contact configuration	8 form C contacts (2CO), 25A				
Version	2 AgNi90/10. without test button 7 AgNi90/10. with test button				
Enclosure	5 Cover with mounting brackets, 6.3mm quick connect terminals 8 Cover with DIN-snap-on attachment, horizontal, 6.3mm quick connect terminals 9 Cover with DIN-snap-on attachment, vertical, 6.3mm quick connect terminals				
Coil	Coil code: please refer to coil versions table				

DESCRIPTION	ORDER. NR
Power Relay 2 C/O 230VAC 25A, cover with mounting bracket	RM825730--
Power Relay 2 C/O 230VAC 25A, certical, AMP Faston 250	RM829730--
Power Relay 2 C/O 24VDC 25A, cover with mounting bracket	RM875024--
Power Relay 2 C/O 230VAC 25A, cover with mounting bracket	RM875730--
Power Relay 2 C/O 24VDC 25A, horizontal, AMP Faston 250	RM878024--
Power Relay 2 C/O 24VDC 25A, vertical, AMP Faston 250	RM879024--
Power Relay 2 C/O 230VAC 25A, vertical, AMP Faston 250	RM879730--