

HR-S

Room humidistat



HR-S is an electro-mechanical room humidistat for controlling humidification and/or dehumidification in HVAC systems.

- ✓ I-step
- ✓ Protection class IP30
- ✓ High reliability and accuracy
- ✓ Changeover contact

Function

The humidistat uses a synthetic element as sensor medium. The synthetic element stretches as the humidity increases and shrinks as the humidity decreases. These changes are transmitted to a microswitch.

Synthetic Element

We have developed a new synthetic element that gives a high accuracy at a low cost.

Typical applications

Can be used to control a humidifier or a dehumidifier or for on/off controlling of a fan. Can also be used to alarm when the humidity exceeds or falls below a pre-set level.

HEAD OFFICE SWEDEN

Phone: +46 31 720 02 00

Web: www.regincontrols.com

E-mail: info@regincontrols.com

HR-S

— | —

Technical data

Ambient temperature	0...40°C
Changeover contact	Max. breaking capacity: Ohmic load, dehumidifying 5 A 250 V AC, ohmic load, humidifying 2 A 250 V AC, inductive load (power factor >0,8) 1 A 250 V AC. Min. switching current 100 mA ¹⁾
Setpoint (humidity)	35...95% RH
Hysteresis	7% RH
Mounting	Wall mounting
Protection class	IP30
Dimensions (mm)	86 x 86 x 30 mm

1) Not relevant when switching high resistance loads (>10 kOhm) e.g. logic levels

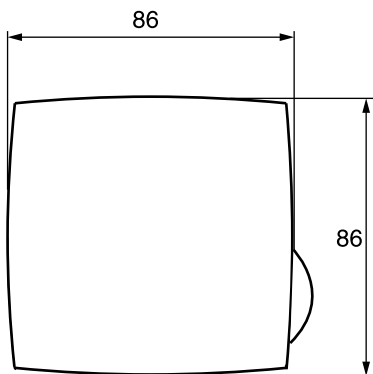


This product carries the CE-mark. More information is available at www.regincontrols.com.

Material

Material, housing	Polycarbonate (PC)
Colour, housing	RAL9010

Dimensions

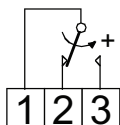


[mm]

Wiring

Humidification: Closing contact between terminals 1 and 2

Dehumidification: Closing contact between terminals 1 and 3



Documentation

All documentation can be downloaded from www.regincontrols.com.